

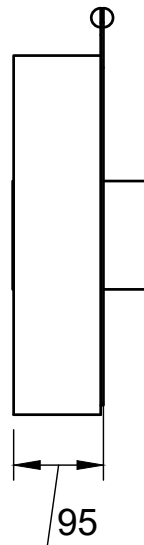
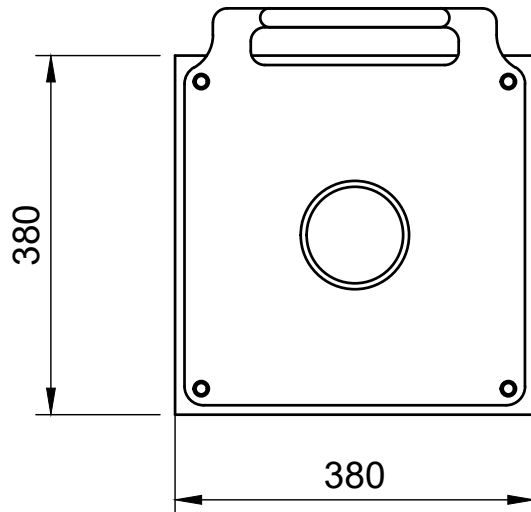
# Vaki Density Sensor

Stainless steel and plastic construction

Tried and true sensor technology

Weighs less than 15 kg (33 pounds)

Available with 4" and 6" cam lock fittings as well as standard BSP threads



\*All measurements are in millimeters