

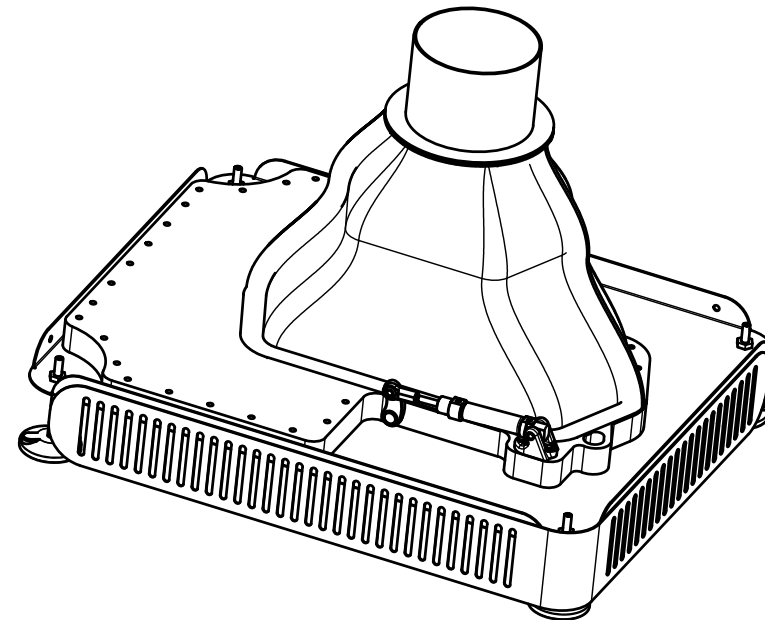
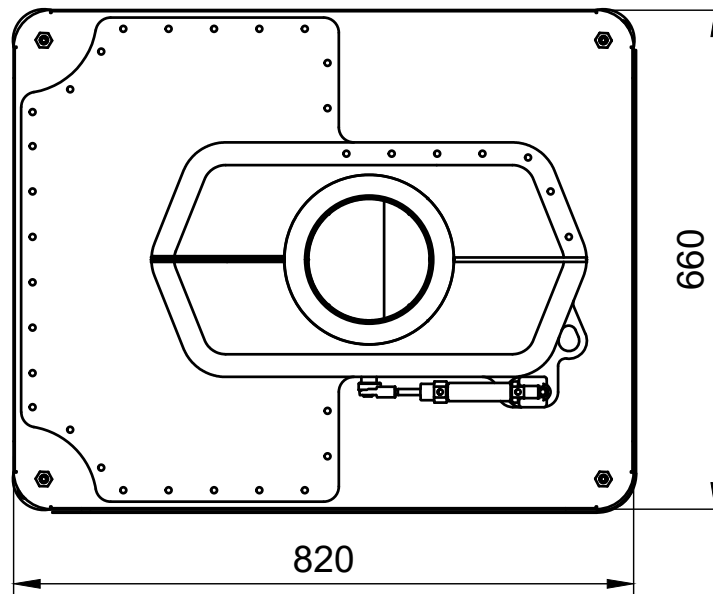
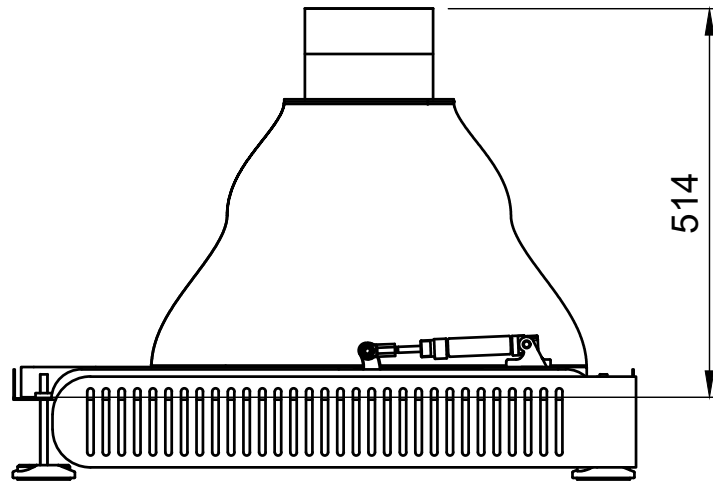
6" Density Control

Stainless steel and plastic construction

Weighs less than 20 kg (44 pounds)

Food safe hydraulic actuator

Each unit equipped with a water level sensor



*All measurements are in millimeters