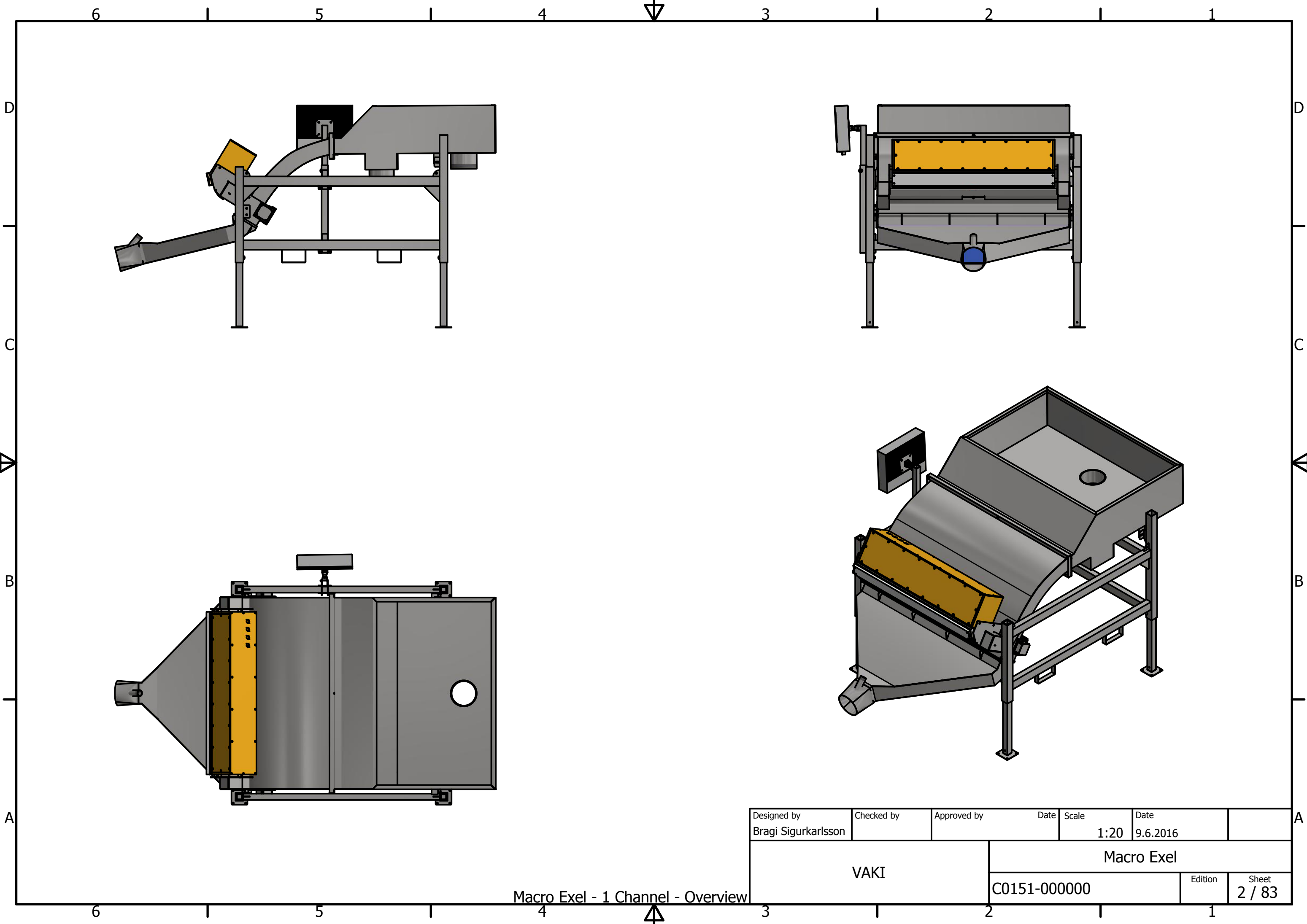


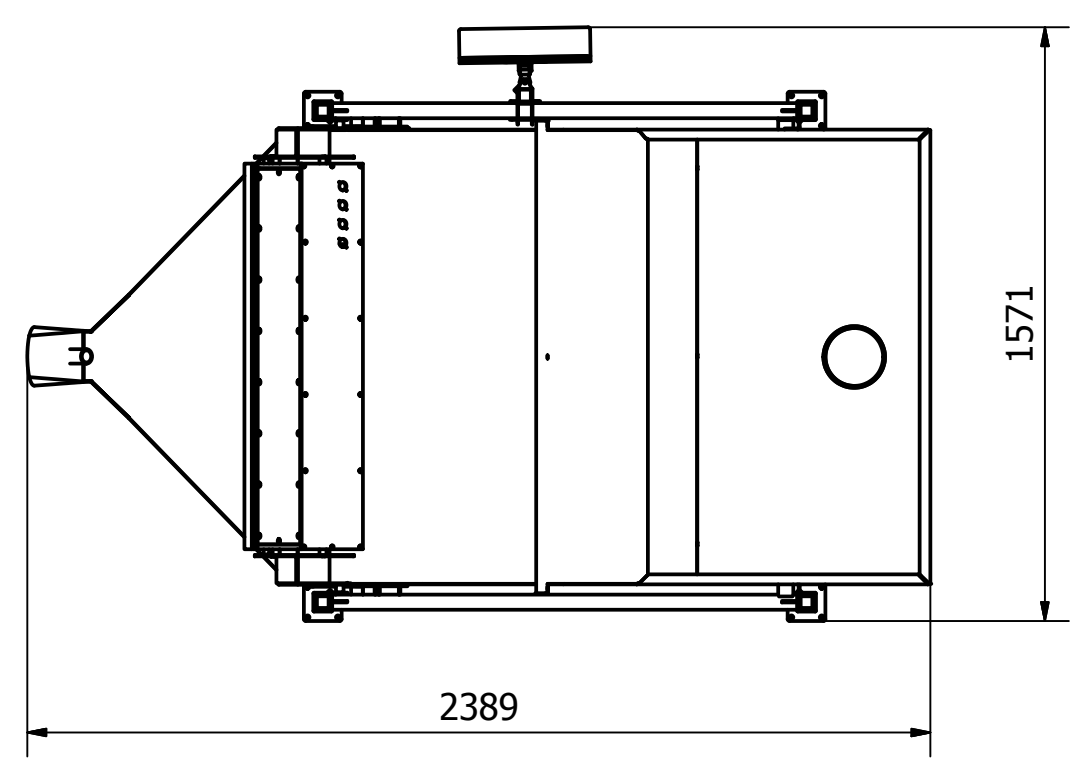
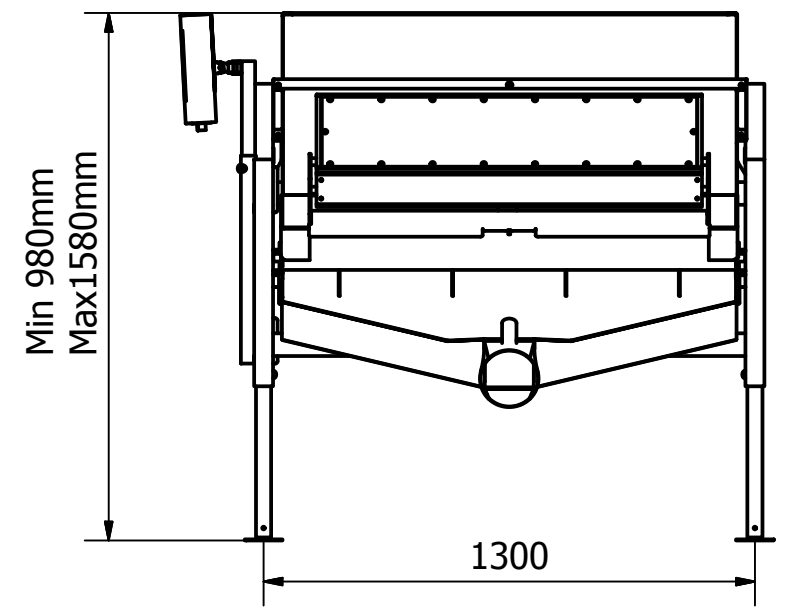
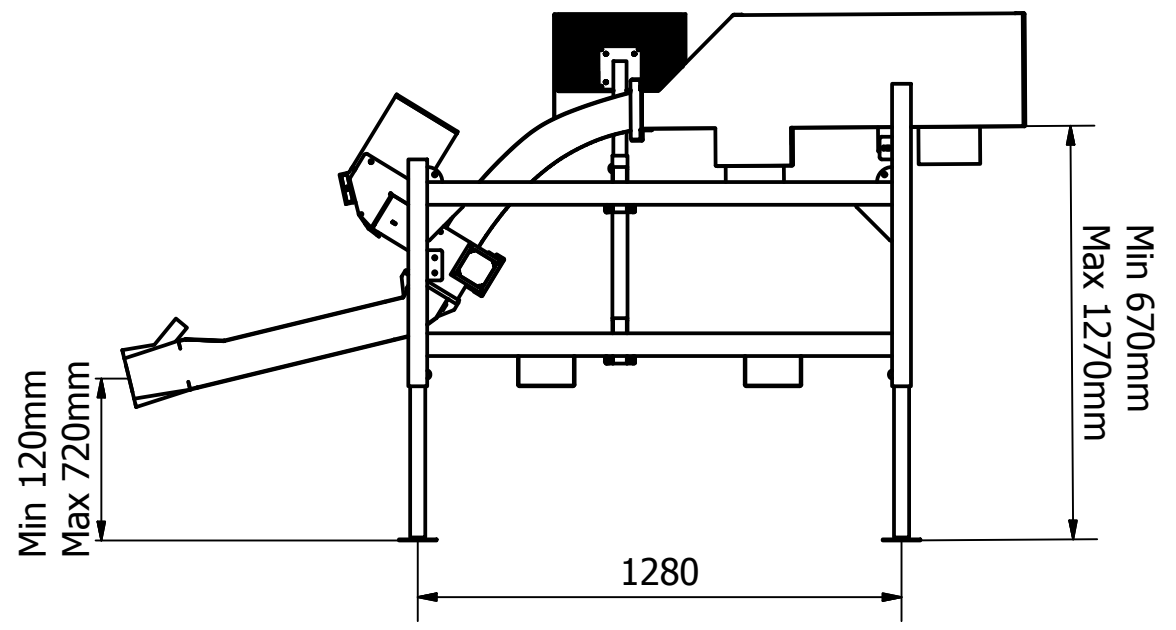
Macro Excel - 1 Channel VAKI

Designed by Bragi Sigurkarlsson	Checked by	Approved by	Date	Scale 1:10	Date 9.6.2016	
VAKI			Macro Excel			
			C0151-000000		Edition	Sheet 1 / 83



Macro Exel - 1 Channel - Overview

Designed by Bragi Sigurkarlsson	Checked by	Approved by	Date	Scale 1:20	Date 9.6.2016	
VAKI			Macro Exel			
			C0151-000000		Edition	Sheet 2 / 83



Fittings and Diameters - Exel 1 Channel		
Inlet / Outlet	Connection on Counter	Connecting Components
Multi (grading) Inlet	N/A	N/A
Upwelling (pump) Inlet	Male Threads 6" (BSP)	A600 (6") CamLock
Dewatering Outlet	154mm Straight Pipe x 2	160mm PVC x 2
Multi Fish Outlet	N/A	N/A
Single Fish Outlet	154mm Straight Pipe	160mm PVC
Spray Water Inlet	1,5" (BSP) Male Threads	1.5" Female (BSP) Fitting

Macro Exel - 1 Channel - General dimensions
Approx. weight: 300kg

Designed by Bragi Sigurkarlsson	Checked by	Approved by	Date	Scale 1:20	Date 9.6.2016	
VAKI			Macro Exel			
			C0151-000000		Edition	Sheet 3 / 83