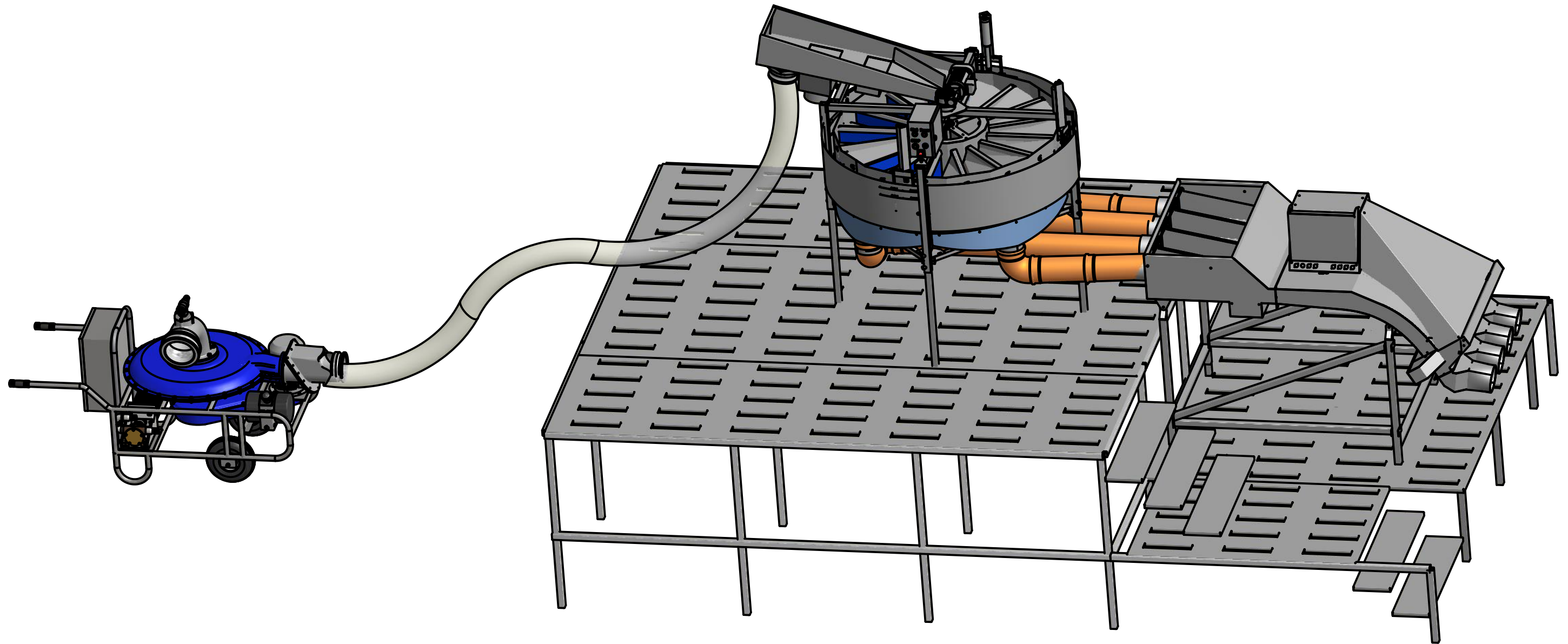


Principal sketch of a grading platform,
 showing a Vaki 1400 grader and a
 Vaki Macro/Quatro counter with a Heatro
 6" pump.



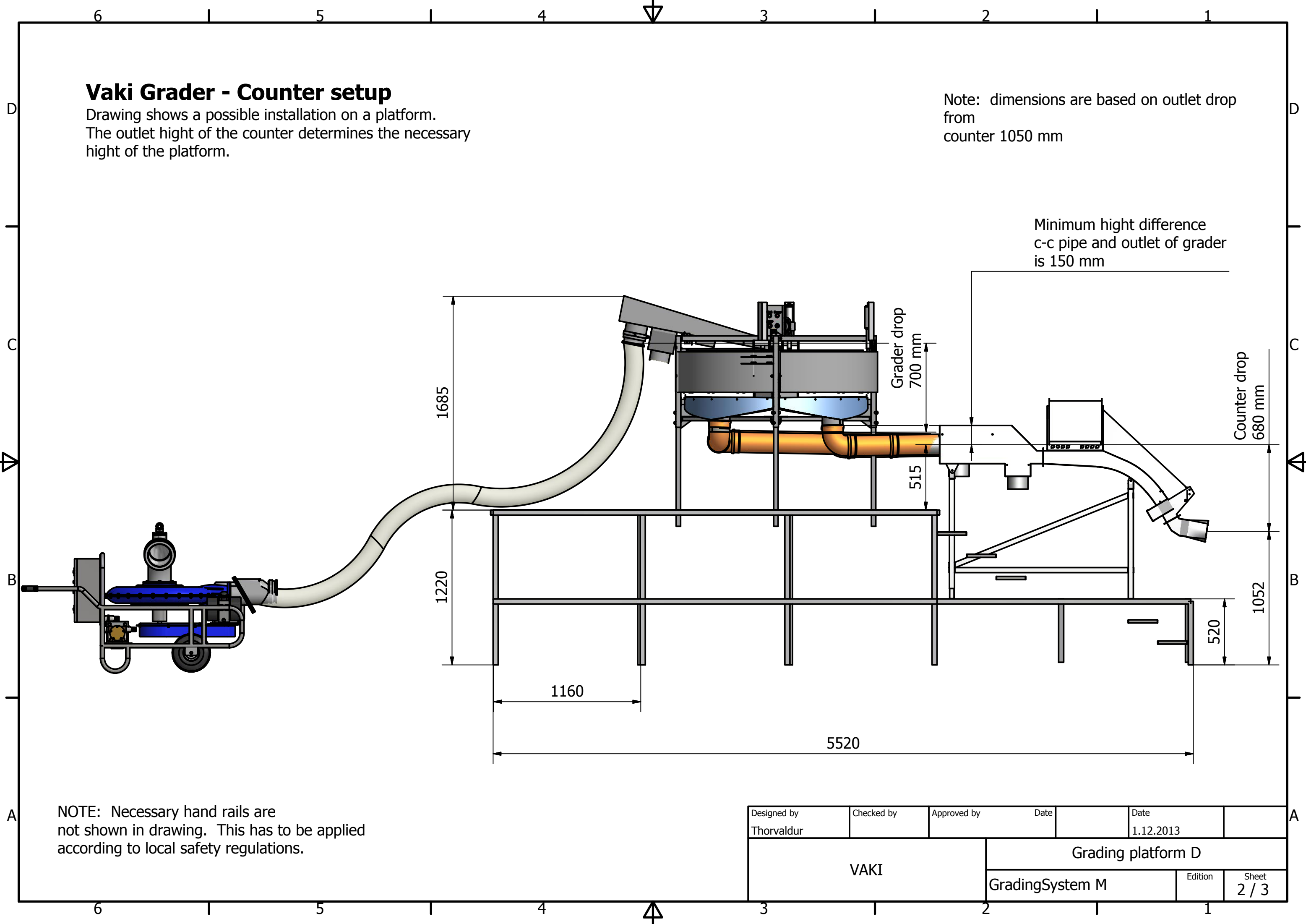
Designed by Thorvaldur	Checked by	Approved by	Date	Date 1.12.2013	
VAKI		Grading platform D			
		GradingSystem M	Edition	Sheet 1 / 3	

Vaki Grader - Counter setup

Drawing shows a possible installation on a platform.
The outlet height of the counter determines the necessary height of the platform.

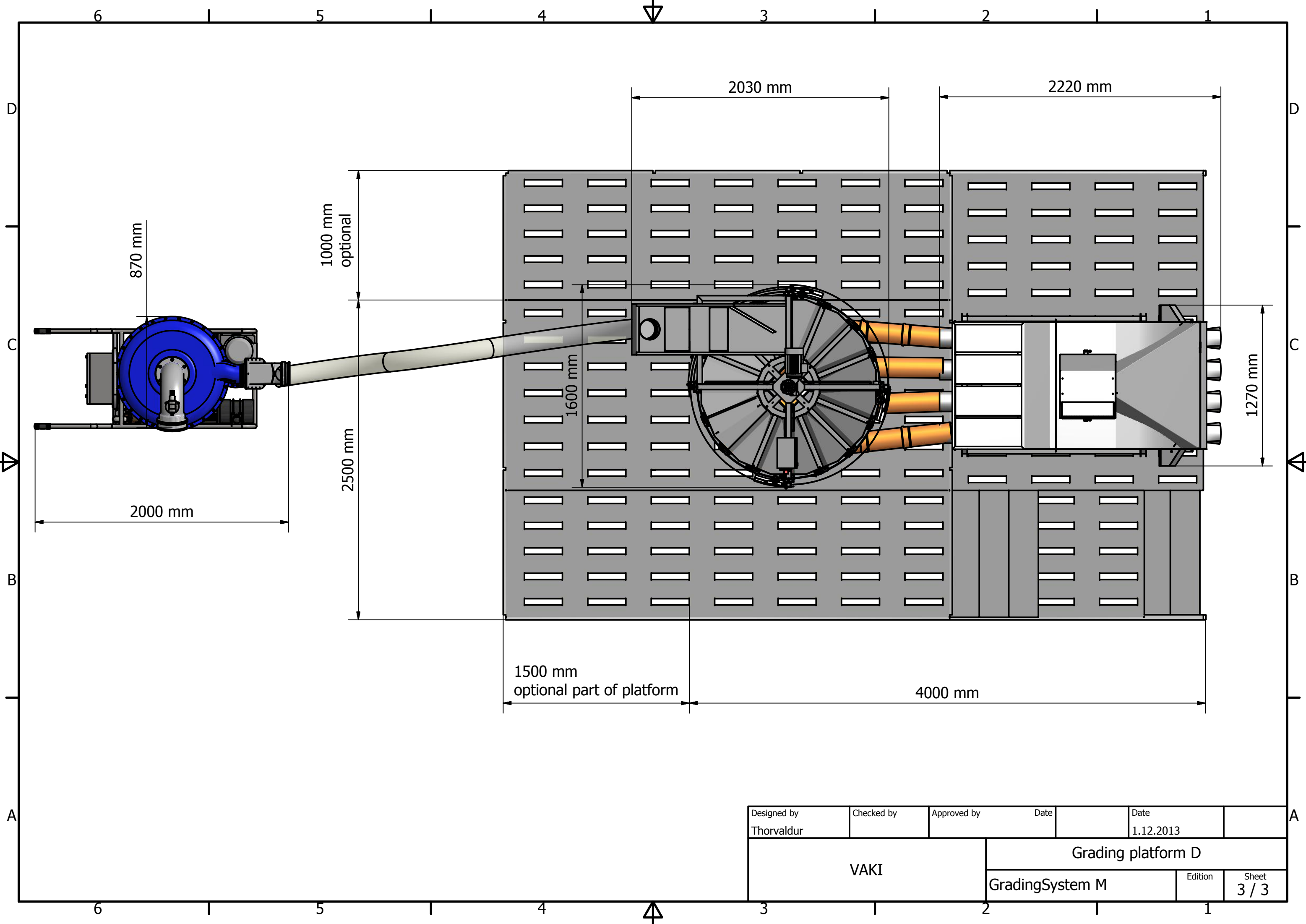
Note: dimensions are based on outlet drop from counter 1050 mm

Minimum height difference c-c pipe and outlet of grader is 150 mm



NOTE: Necessary hand rails are not shown in drawing. This has to be applied according to local safety regulations.

Designed by Thorvaldur	Checked by	Approved by	Date	Date 1.12.2013	
VAKI			Grading platform D		
			GradingSystem M	Edition	Sheet 2 / 3



Designed by Thorvaldur	Checked by	Approved by	Date	Date 1.12.2013
VAKI		Grading platform D		
		GradingSystem M	Edition	Sheet 3 / 3